

SCHEMATIC DRAWINGS for



MICROMOOG MODEL 2090



MULTIMOOG MODEL 326A

MOOG MUSIC INC.

2500 Walden Avenue, Buffalo, New York 14225

NORLIN MUSIC INSTRUMENTS LIMITED

51 Nantucket Blvd., Scarborough, Ontario, Canada MIP2N6

NORLIN MUSIC SERVICES B.V.

Waalhaven, Z.Z. 48, Rotterdam, The Netherlands

THESE DRAWINGS AND SPECIFICATIONS ARE THE PROPERTY OF MOOG MUSIC INC. AND SHALL NOT BE REPRODUCED OR COPIED IN WHOLE OR IN PART AS THE BASIS FOR MANUFACTURE OR SALE OF THE ITEMS.

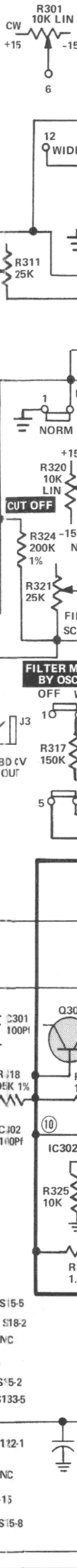
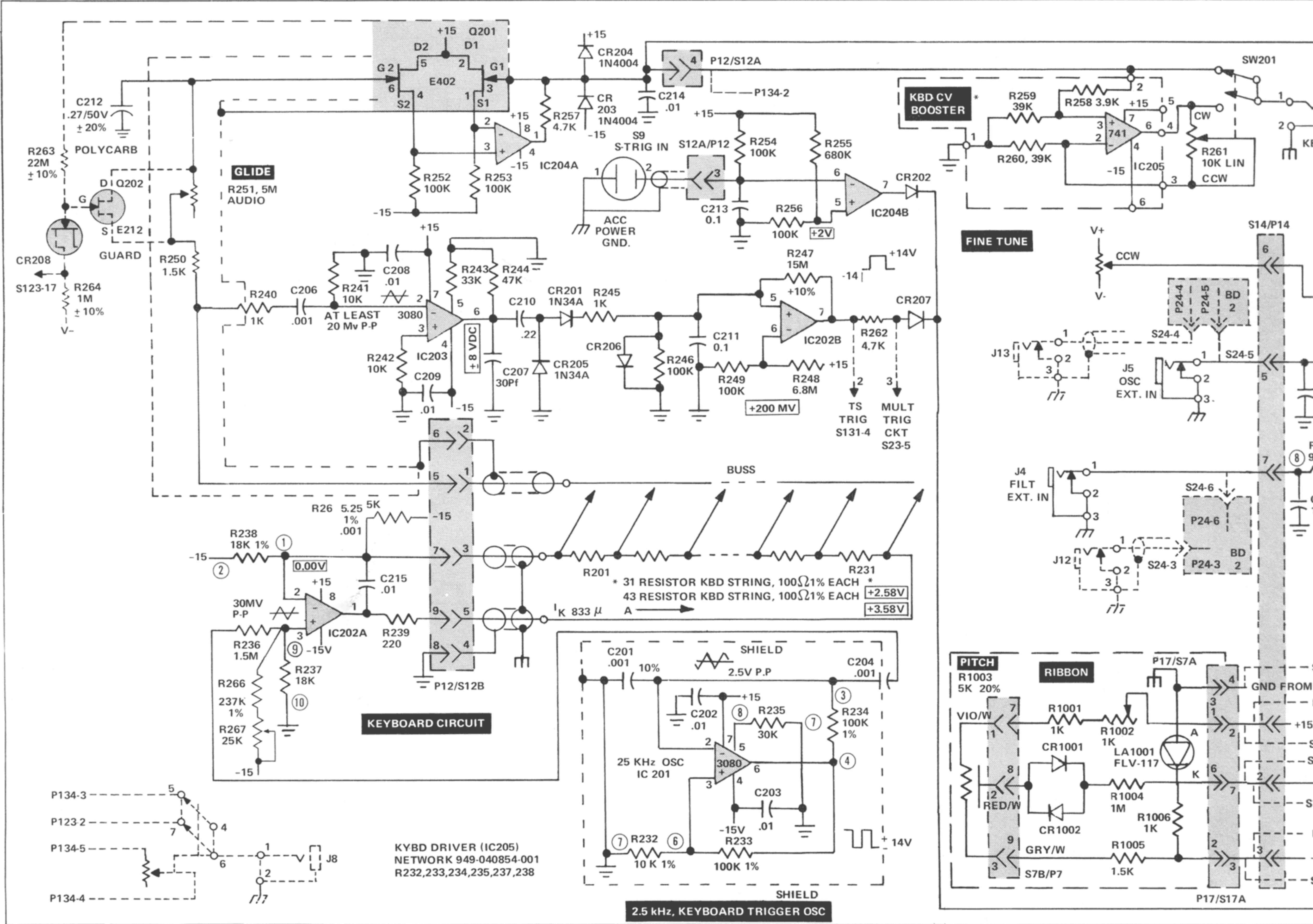
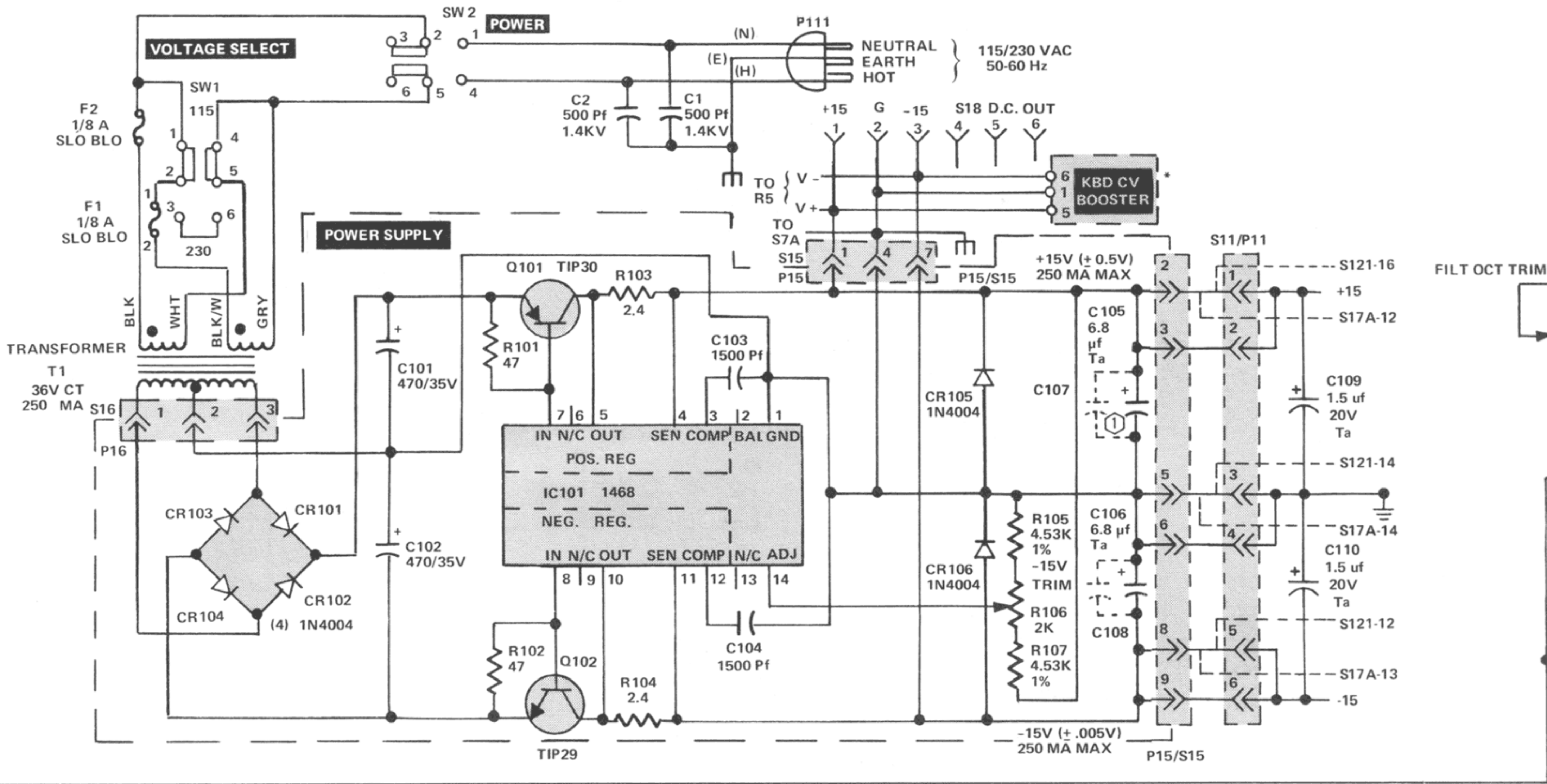
SCHEMATICS SCANNED BY:
www.fantasyjackpalance.com

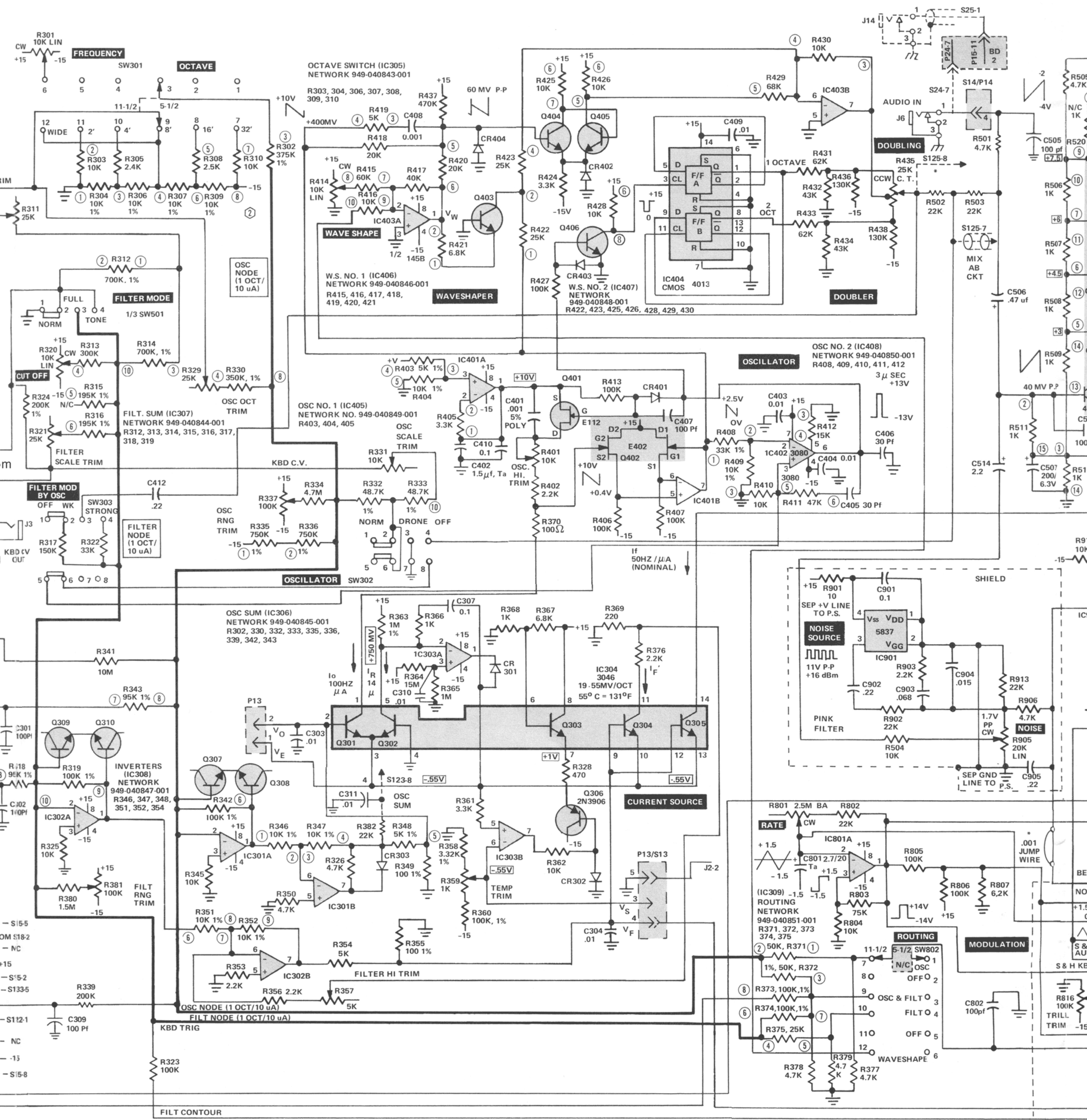
COPYRIGHT - 1978
MOOG MUSIC INC.



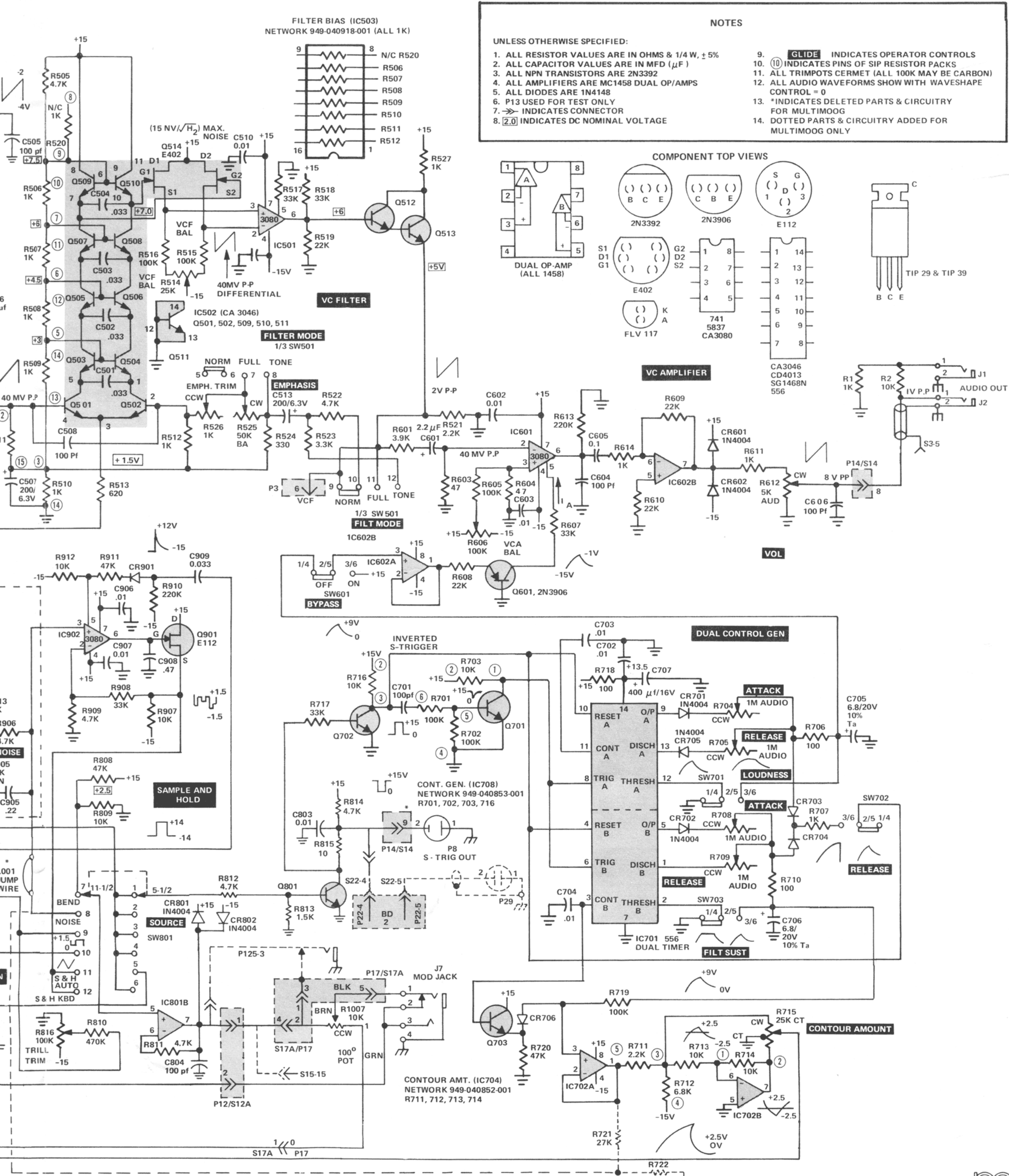
NORLIN MUSIC
(716) 681-7242

- ② R306, R307, R309 MATCHED TO WITHIN ± 0.5% OF R304.
- ① C107, C108 = .1 uf CERAMIC NEED BE INSTALLED ONLY IF C105, C106 = 10 uf ALUMINUM

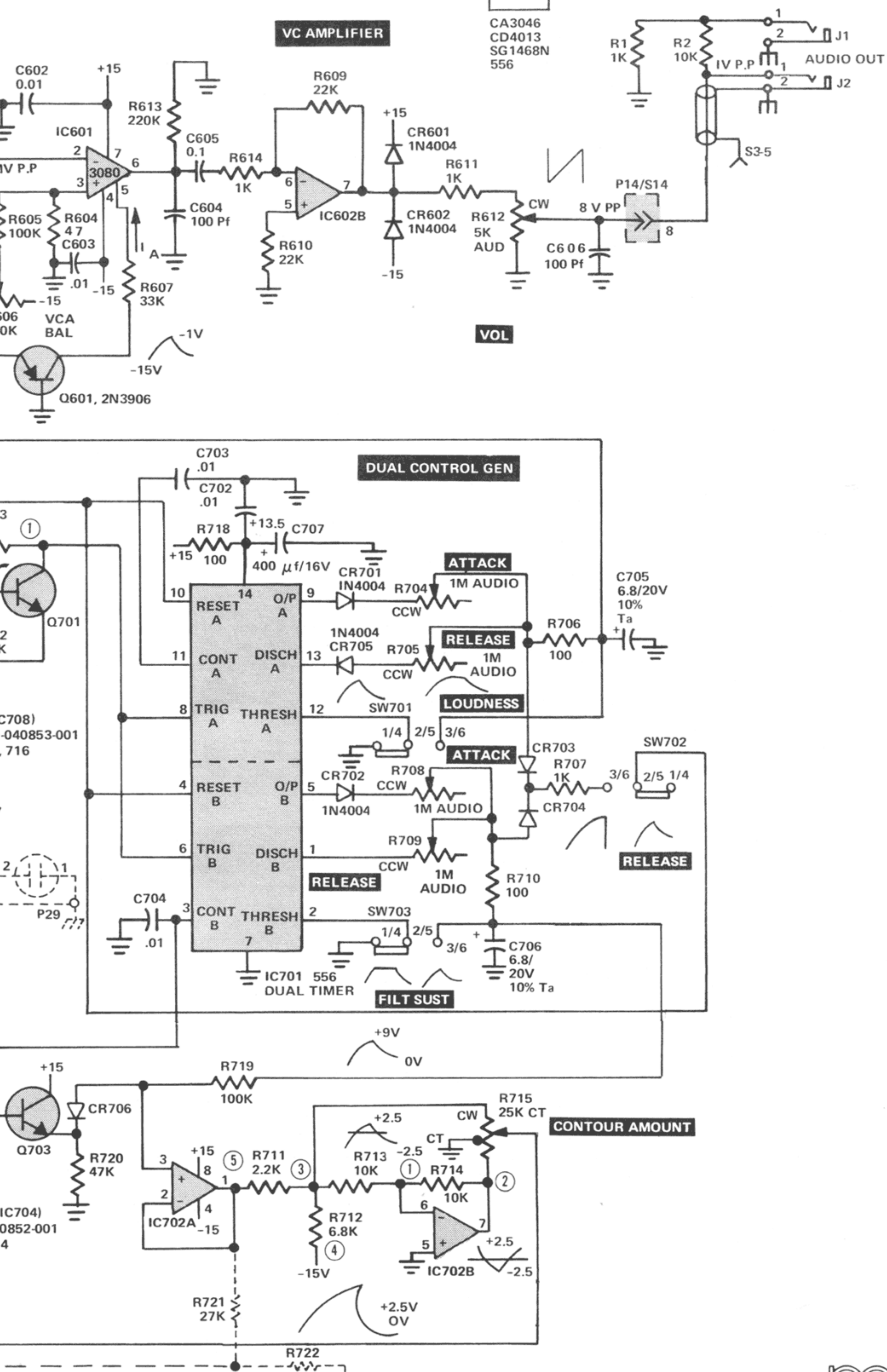
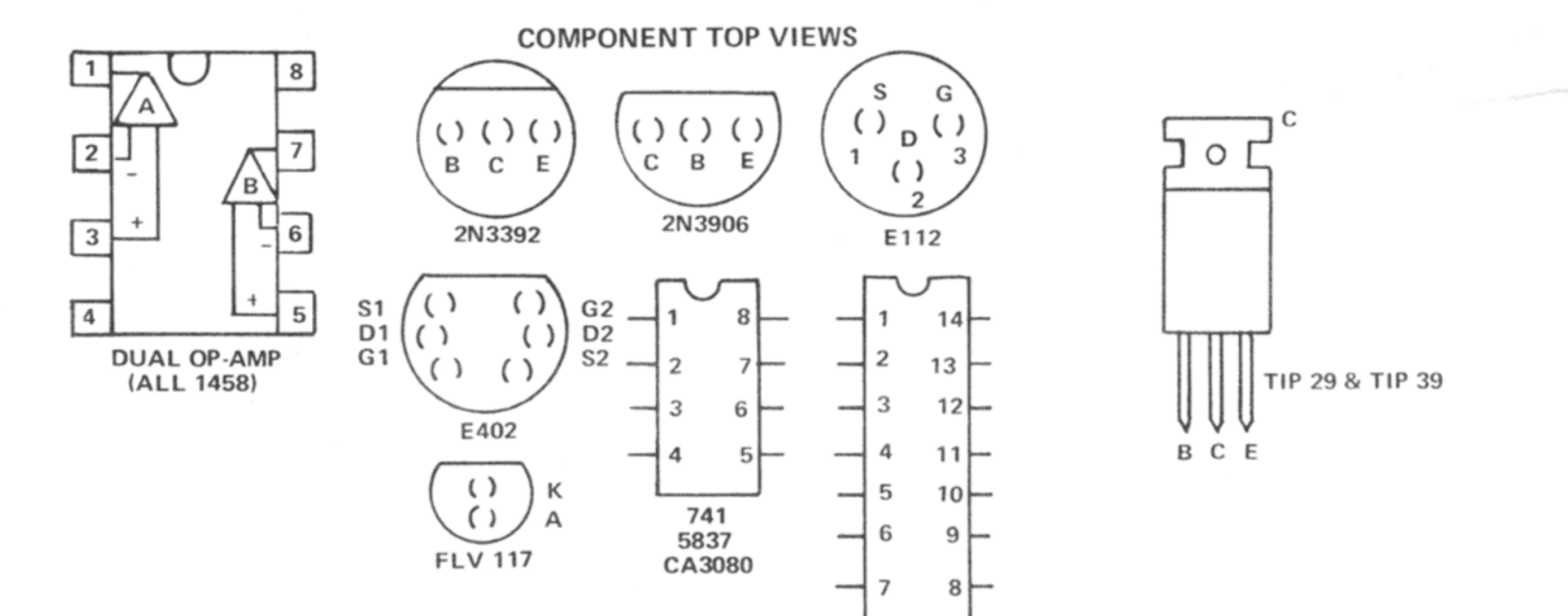


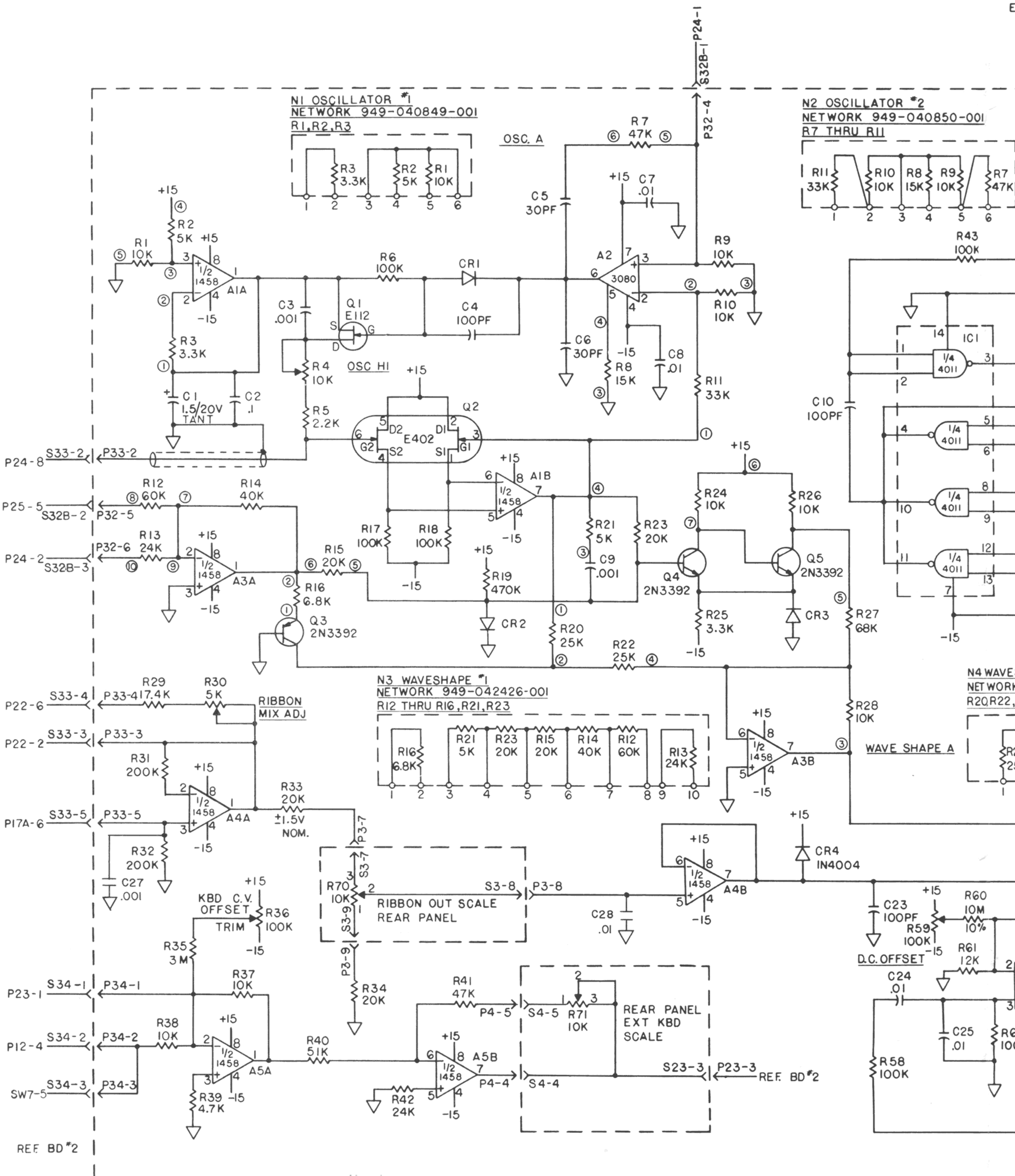


FILT CONTOUR



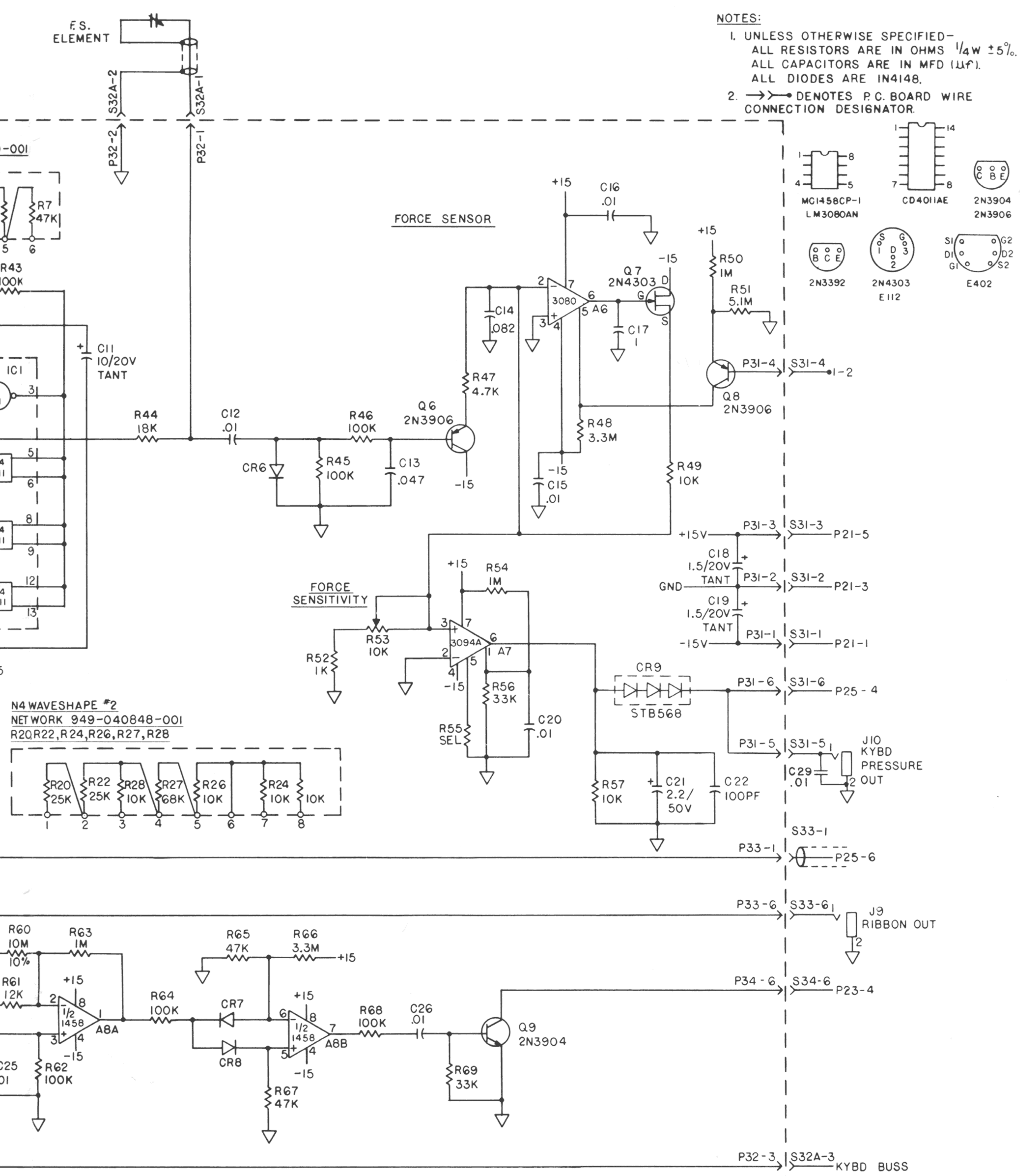
- NOTES**
1. ALL RESISTOR VALUES ARE IN OHMS & 1/4 W, ± 5%
 2. ALL CAPACITOR VALUES ARE IN MFD (μF)
 3. ALL NPN TRANSISTORS ARE 2N3392
 4. ALL AMPLIFIERS ARE MC1458 DUAL OP/AMPS
 5. ALL DIODES ARE 1N4148
 6. P13 USED FOR TEST ONLY
 7. → INDICATES CONNECTOR
 8. 2.0 INDICATES DC NOMINAL VOLTAGE
 9. **GLIDE** INDICATES OPERATOR CONTROLS
 10. (10) INDICATES PINS OF SIP RESISTOR PACKS
 11. ALL TRIMPOTS CERMET (ALL 100K MAY BE CARBON)
 12. ALL AUDIO WAVEFORMS SHOW WITH WAVESHAPE CONTROL = 0
 13. *INDICATES DELETED PARTS & CIRCUITRY FOR MULTIMOOG
 14. DOTTED PARTS & CIRCUITRY ADDED FOR MULTIMOOG ONLY





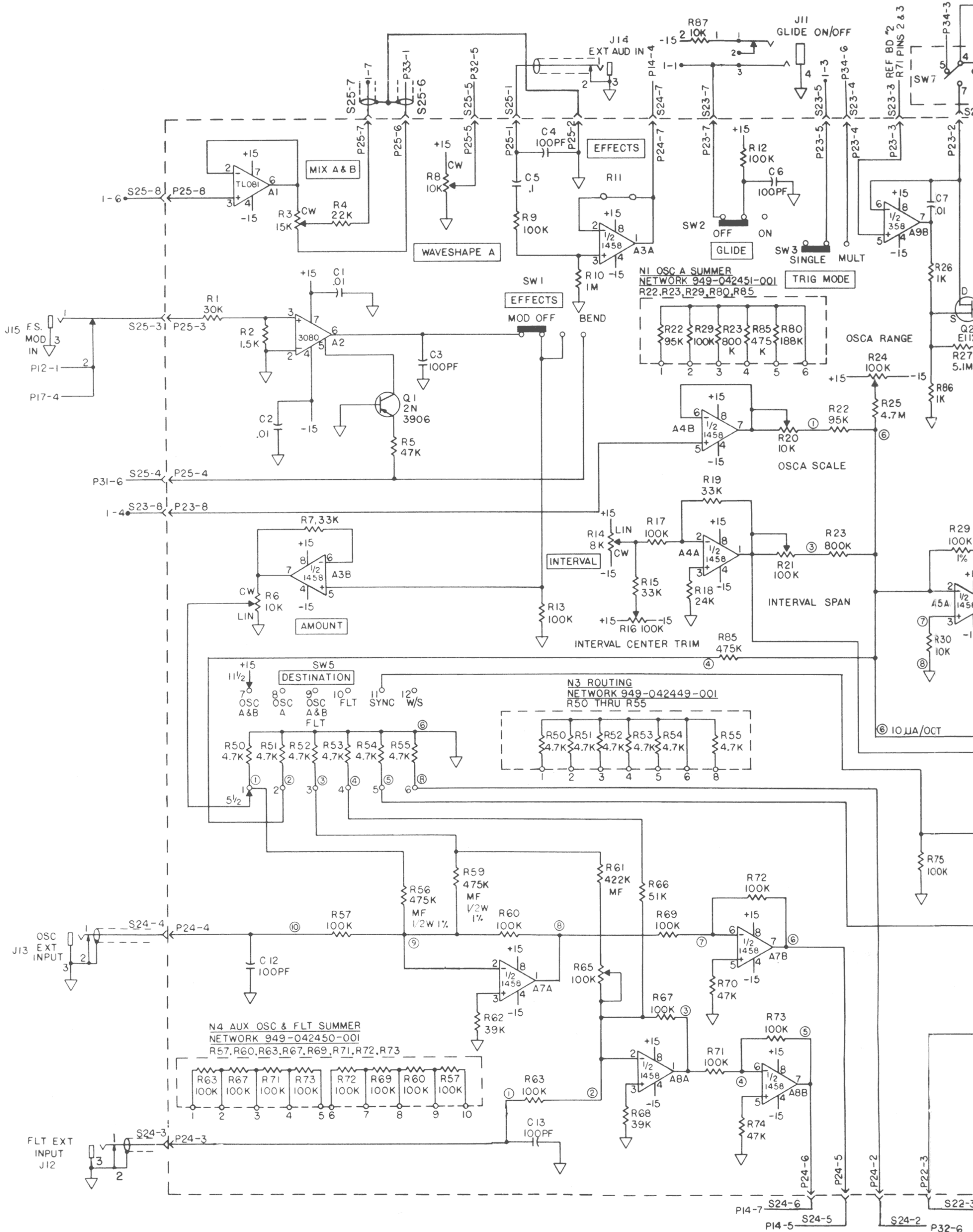
NOTES:

1. UNLESS OTHERWISE SPECIFIED- ALL RESISTORS ARE IN OHMS $\frac{1}{4}W \pm 5\%$. ALL CAPACITORS ARE IN MFD (μF). ALL DIODES ARE IN4148.
2. \rightarrow DENOTES P.C. BOARD WIRE CONNECTION DESIGNATOR.



MULT. TRIG. CIRCUIT





NOTES:

1. UNLESS OTHERWISE SPECIFIED
ALL RESISTORS ARE IN OHMS 1/4W ±5%
ALL CAPACITORS ARE MFD (μf)
ALL DIODES ARE IN4148
2. →→ DENOTES P.C. BOARD WIRE
CONNECTOR DESIGNATOR.

COMPONENT BASING
TOP VIEW

